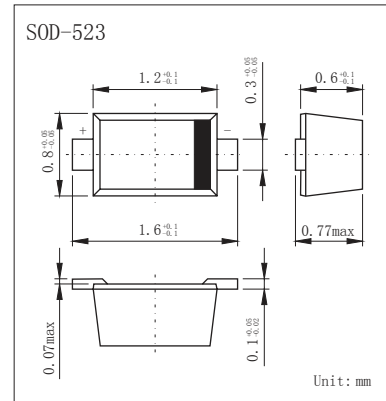
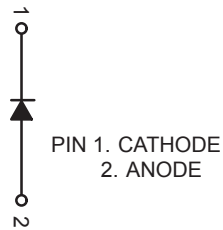


Schottky Diodes

RB751S-100(KB751S-100)

■ Features

- Extremely High Switching Speed
- Low-Forward Voltage and Low Reverse Current
- High Reliability
- Schottky Barrier Diodes Encapsulated in a SOD523 Package

■ Absolute Maximum Ratings $T_a = 25^\circ\text{C}$

Parameter	Symbol	Rating	Unit
Peak Reverse voltage	V_{RM}	100	V
Average Rectified Output Current	I_o	200	mA
Junction Temperature	T_J	125	°C
Storage temperature range	T_{stg}	-40 to 150	

■ Electrical Characteristics $T_a = 25^\circ\text{C}$

Parameter	Symbol	Test Conditions	Min	Typ	Max	Unit
Reverse breakdown voltage	V_R	$I_R = 100 \mu\text{A}$	100			V
Forward voltage	V_{F1}	$I_F = 200 \text{ mA}$			0.92	
Reverse voltage leakage current	I_{R1}	$V_R = 100 \text{ V}$			20	μA

■ Marking

NO.	RB751S-100
Marking	6