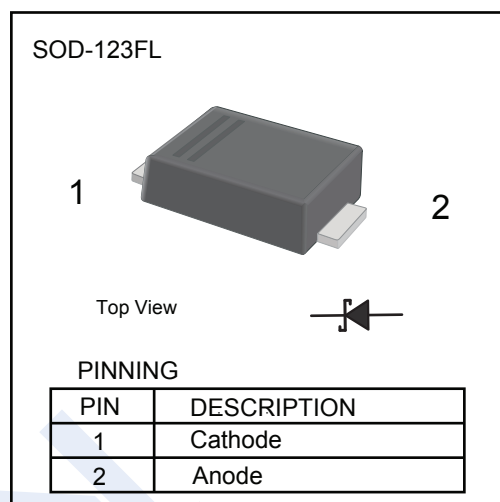


Schottky Diodes

1KK2102DV ~ 1KK2106DV

■ Features

- Surface Mount Schottky Barrier Rectifier
- Reverse Voltage - 20 to 60 V
- Forward Current - 1.0 A
- Metal silicon junction, majority carrier conduction
- For surface mounted applications
- Low power loss, high efficiency
- High forward surge current capability
- For use in low voltage, high frequency inverters, free wheeling, and polarity protection applications



■ Absolute Maximum Ratings and Electrical characteristics

Ratings at 25°C ambient temperature unless otherwise specified. Single phase, half wave, 60Hz resistive or inductive load, for capacitive load, derate by 20 %

Parameter	Symbol	1KK2102DV	1KK2104DV	1KK2106DV	Unit
Maximum Repetitive Peak Reverse Voltage	V_{RRM}	20	40	60	V
Maximum RMS Voltage	V_{RMS}	14	28	42	
Maximum DC Blocking Voltage	V_{DC}	20	40	60	
Average Rectified Current	I_F	0.45		0.5	A
Maximum Average Forward Rectified Current	$I_{F(AV)}$	1.0			
Peak Forward Surge Current, 8.3ms Single Half Sine-wave Superimposed on Rated Load (JEDEC method)	I_{FSM}	30			
Maximum DC Reverse Current at Rated DC Blocking Voltage	I_R	$T_a=25^\circ\text{C}$ 0.3 $T_a=100^\circ\text{C}$ 10	0.2 5		mA
Typical Junction Capacitance *1	C_j	180		80	pF
Typical Thermal Resistance *2	$R_{\theta JA}$	90			°C/W
Operating Junction Temperature Range	T_j	-55 to 125			°C
Storage Temperature Range	T_{stg}	-55 to 150			

* 1 Measured at 1MHz and applied reverse voltage of 4V D.C

* 2. P.C.B. mounted with 2.0" X 2.0" (5 X 5 cm) copper pad areas.

■ Marking

NO.	1KK2102DV	1KK2104DV	1KK2106DV
Marking	SL12	SL14	SL16

Schottky Diodes

1KK2102DV ~ 1KK2106DV

■ Typical Characteristics

Fig.1 Forward Current Derating Curve

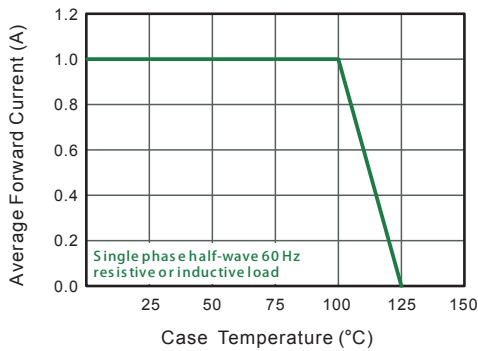


Fig.2 Typical Reverse Characteristics

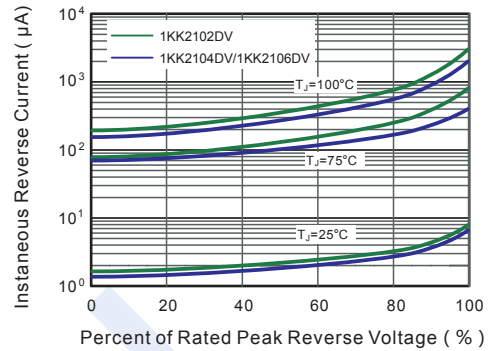


Fig.3 Typical Forward Characteristic

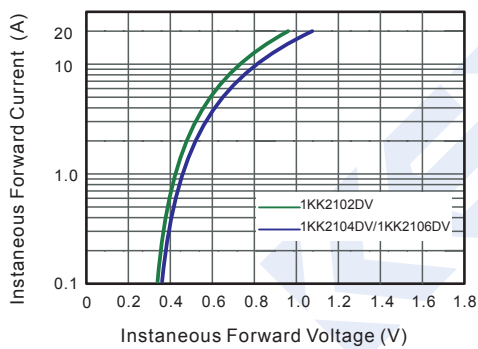


Fig.4 Typical Junction Capacitance

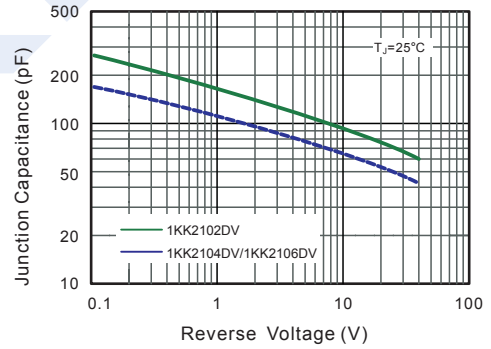


Fig.5 Maximum Non-Repetitive Peak Forward Surge Current

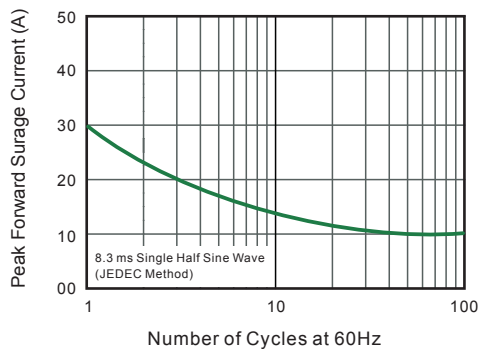
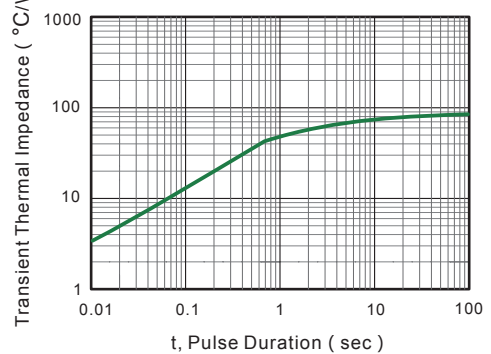


Fig.6- Typical Transient Thermal Impedance



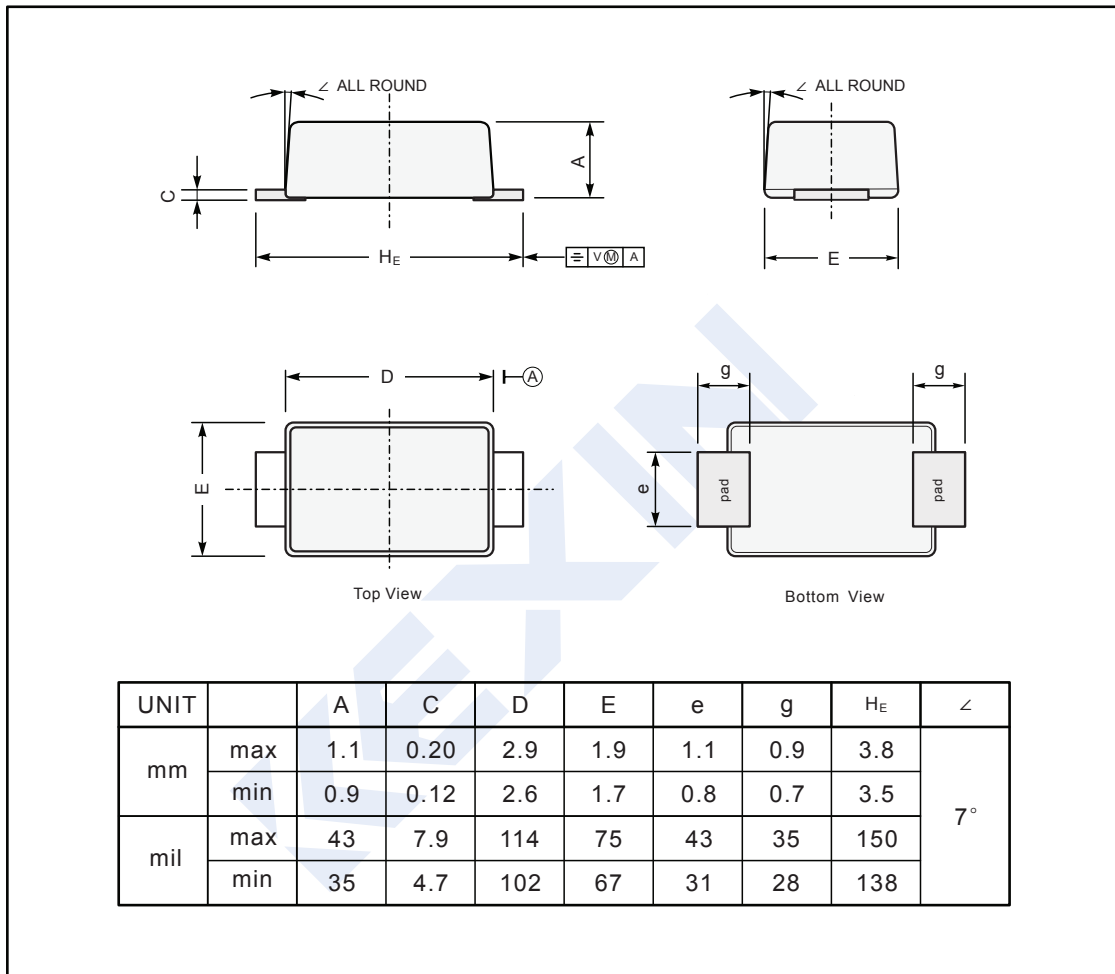
Schottky Diodes

1KK2102DV ~ 1KK2106DV

■ Package Outline Dimensions

Plastic surface mounted package; 2 leads

SOD-123FL



■ The Recommended Mounting Pad Size

