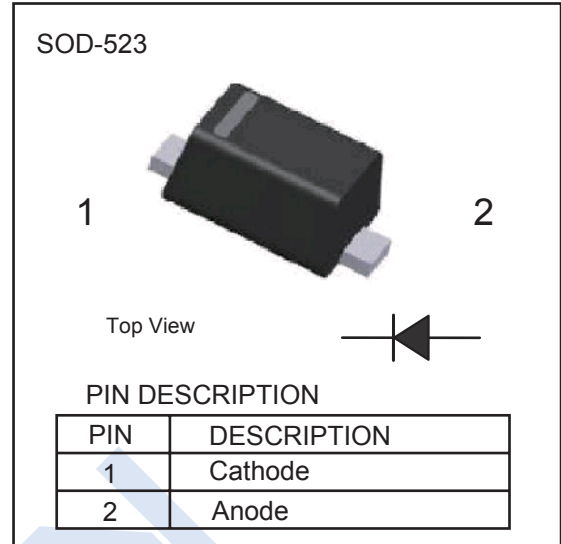


Schottky Barrier Diode

1KK2003G

■ Features

- Low Forward Voltage Drop
- Flat Lead SOD-523 Small Outline Plastic Package
- Extremely Small SOD-523 Package
- Surface Device Type Mounting
- RoHS Compliant
- Green EMC
- Matte Tin(Sn) Lead Finish



■ Absolute Maximum Ratings $T_a = 25^\circ\text{C}$

Parameter	Symbol	Rating	Unit
Peak Reverse Voltage	V_{RM}	30	V
Average Rectified Output Current	$I_{F(AV)}$	200	mA
Peak Forward Surge Current (Note 1)	I_{FSM}	1	A
Power Dissipation	P_D	200	mW
Junction Temperature	T_J	125	°C
Storage Temperature Range	T_{stg}	-55 to +125	

Note 1. 60 Hz for 1 cycle.

■ Electrical Characteristics $T_a = 25^\circ\text{C}$

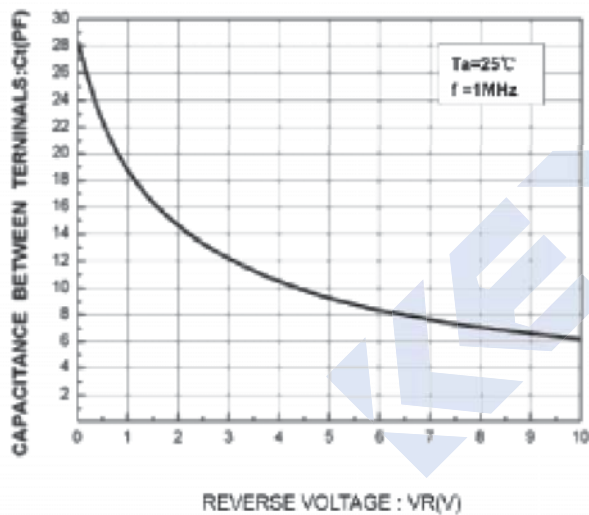
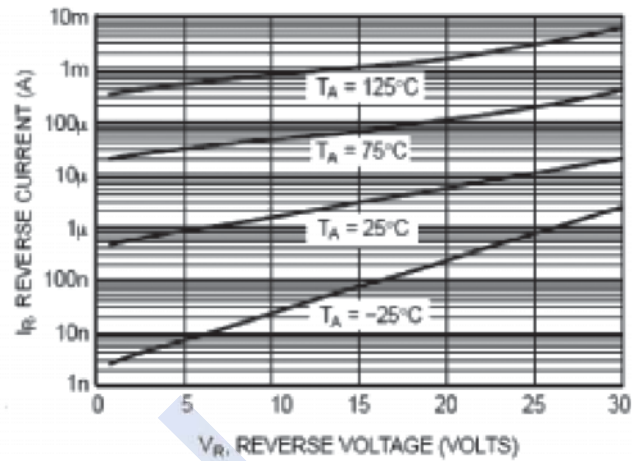
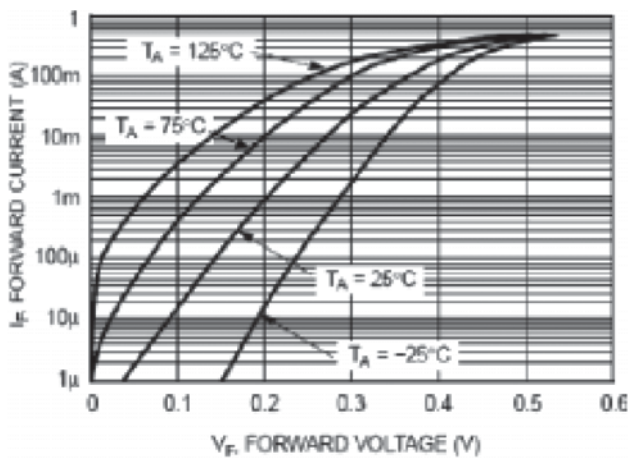
Parameter	Symbol	Test Conditions	Min	Typ	Max	Unit
Reverse breakdown voltage	BV	$I_R = 500\mu\text{A}$	30			V
Forward voltage	V_F	$I_F = 200\text{mA}$			0.5	
Reverse voltage leakage current	I_R	$V_R = 10\text{V}$			30	μA

■ Marking

Marking	C
---------	---

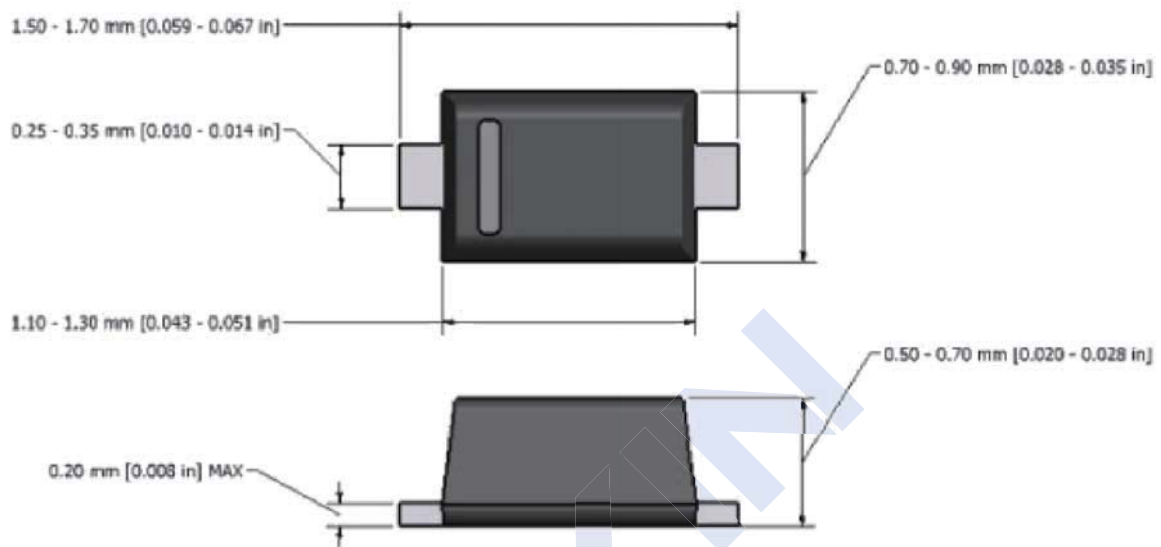
Schottky Barrier Diode 1KK2003G

■ Typical Characteristics



Schottky Barrier Diode 1KK2003G

■ Package Outline Dimensions (SOD-523)



Note: Dimensions are exclusive of Burrs, Mold Flash & Tie Bar extrusions.

■ The Recommended Mounting Pad Size

